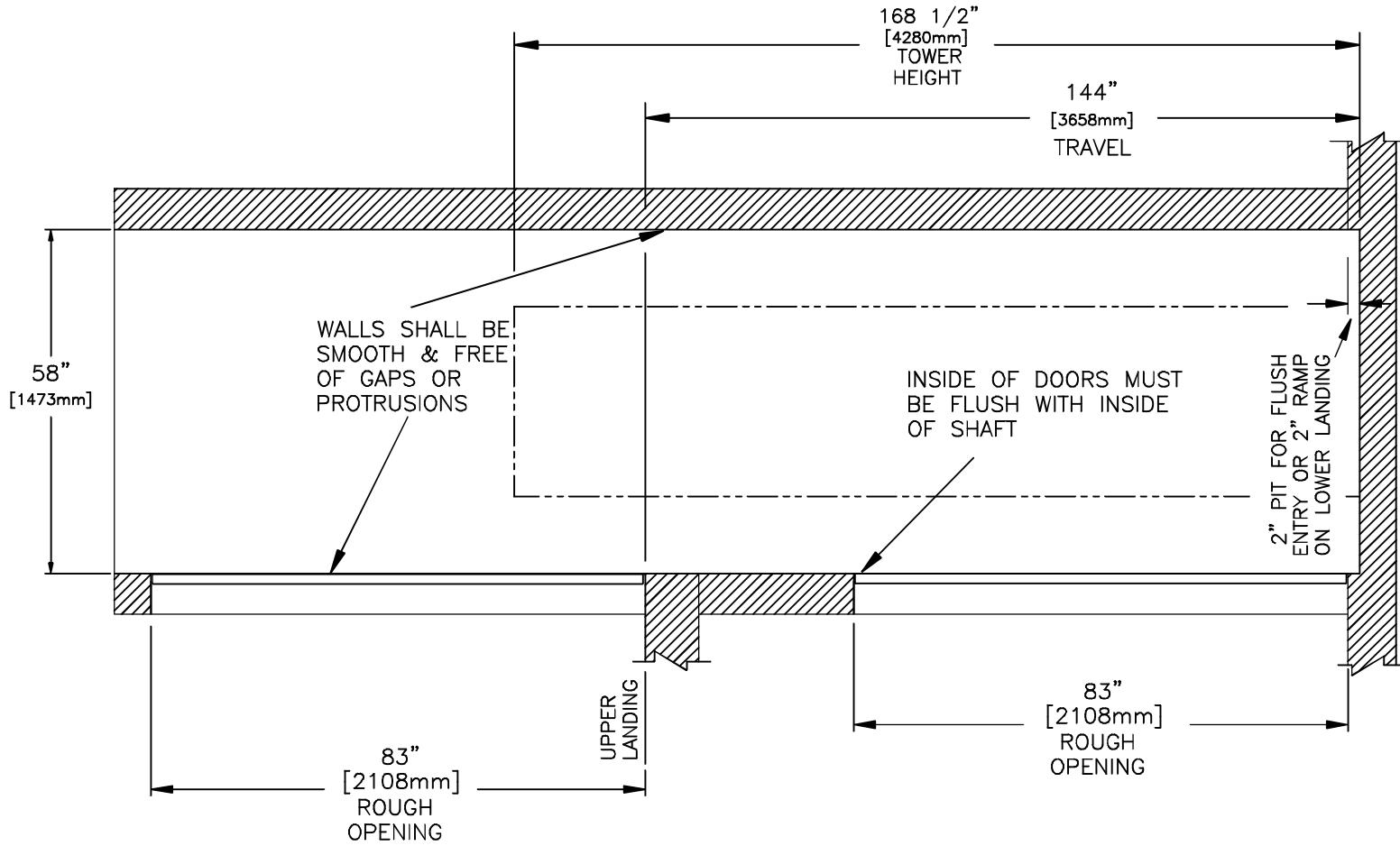
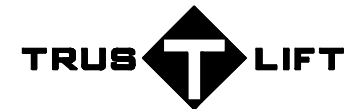


NOTES:  
 - Dimensions are in inches



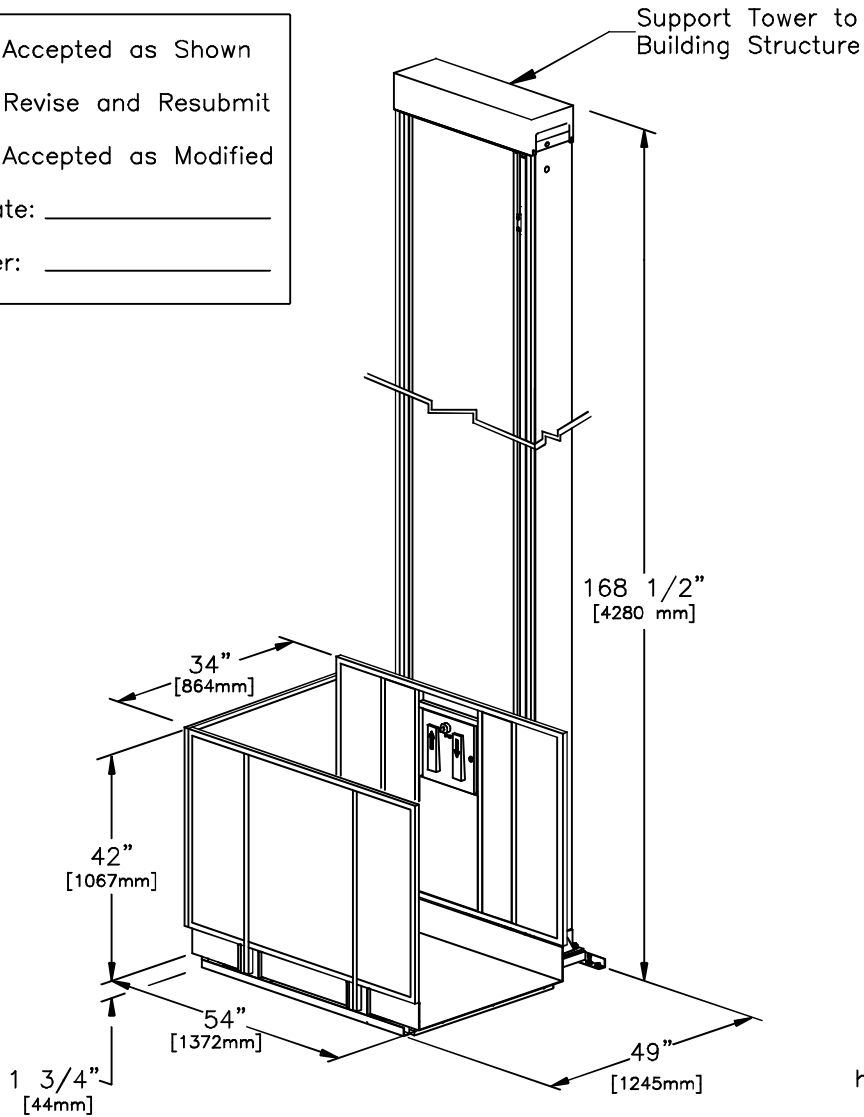
SECTION A-A

TOTAL TRAVEL	144	INCHES	No. OF LANDINGS	2
	3658	mm		
LOCATION	ENCLOSED TRUS<T>LIFT SAMPLE DRAWING			
ARCHITECT				
GENERAL CONTRACTOR				



DWN. BY:	TRUS-T-LIFT ELEVATOR INSTALLATION DETAILS		
B.G.			
CHECKED BY:			
SCALE:	DATE:	DRAWING No.	REV
N.T.S.	21/Mar/14	144URRSECCNSP	2/2

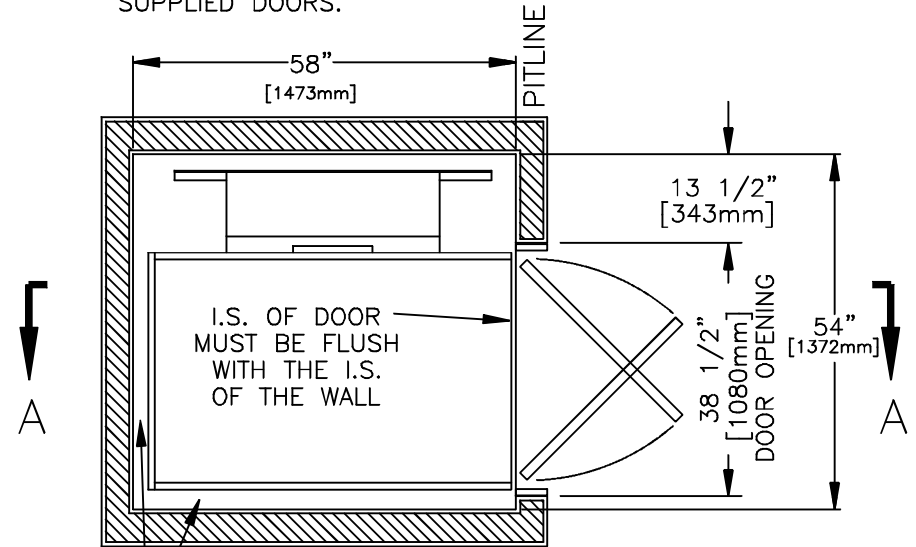
Accepted as Shown  
 Revise and Resubmit  
 Accepted as Modified  
 Date: \_\_\_\_\_  
 Per: \_\_\_\_\_



**TRUS-T-LIFT DIMENSIONS**

**SPECIFICATIONS:**

- 34" x 54" [864mm x 1372mm] LIFT PLATFORM
- 49" x 54" [1245mm x 1372mm] FOOTPRINT
- 168 1/2" [4280mm] TOWER HEIGHT
- 0" - 144" [0mm - 3658mm] LIFT RANGE
- MAXIMUM LOAD 750 lbs. [340 Kg.]
- 8 F.P.M [0.04 M/S] LIFT SPEED
- SCREW NUT SYNCHRONOUS BELT DRIVE
- MOTOR: 1/2 H.P. 110V A.C.
- POWER SUPPLY: 110V/1PH/60HZ C/W 15A FUSED DISCON.
- NON-LOAD BEARING BACKUP SAFETY NUT ON LIFT SHAFT
- ZERO-LOAD START IN BOTTOM POSITION
- \*DESIGNED & BUILT TO MEET ASME A18.1 2008
- \*DOORS: UPPER AND LOWER LANDING WITH CUSTOMER SUPPLIED DOORS.



**PLAN VIEW SECTION**

TOTAL TRAVEL	144	INCHES	No. OF LANDINGS	2
	3658	mm		
LOCATION	ENCLOSED TRUS<T>LIFT SAMPLE DRAWING			
ARCHITECT				
GENERAL CONTRACTOR				

<b>TRUS T LIFT</b>		<b>TRUS-T-LIFT ELEVATOR INSTALLATION DETAILS</b>	
DWN. BY:	B.G.		
CHECKED BY:			
SCALE:	N.T.S.	DATE:	21/Mar/14
		DRAWING No.	1/2 REV
		144URRSECCNSP	