

Step 2: Level the deck

Manually crank the platform up so that you can access the bottom side of the platform. Adjust the level of the platform using the tilt bolts (Item 3 – Figure 19) 3/8”-16 x 1” on both side of the platform until the outside edge of the platform is approx. ¼” above level when car is empty. Balance the tension on each levelling bolt to ensure a rigid platform.

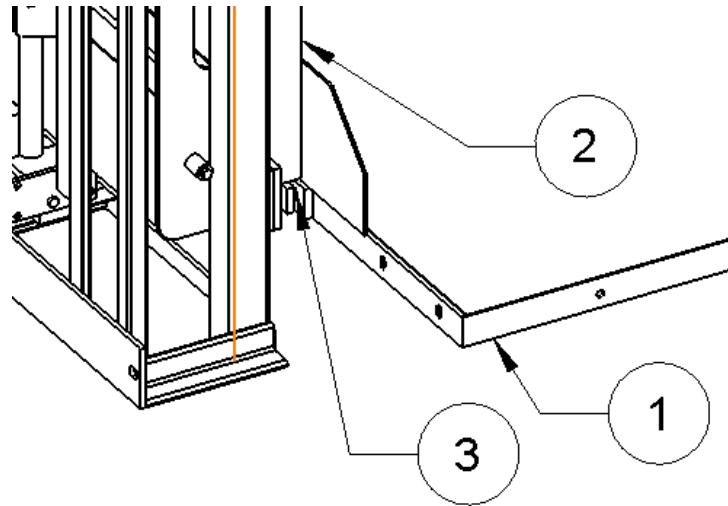


Figure 18: Platform Levelling

- | | |
|---------------|-------------------------|
| 1 Platform | 3 Hex bolt 3/8”-16 x 1” |
| 2 Guide Frame | |

5.6 Car Installation

The car has been pre-assembled and all wall panels will be marked with number tapes that were cut prior to being disassembled and packaged.

Step 1. Assemble wall panels to Platform and Roof Frame matching corresponding number tapes. All bolts are to be finger tight only.

Step 2. Place the four 2x4 pre-cut and marked studs vertically in the four corners of the carriage to set the car height. These studs will be packaged with the car panels. Note: it is important to set the correct carriage height to ensure easy removal of the Control Wall Panel for maintenance.

Step 3. Tighten car panel bolts beginning from the bottom taking care to line up the number tapes.

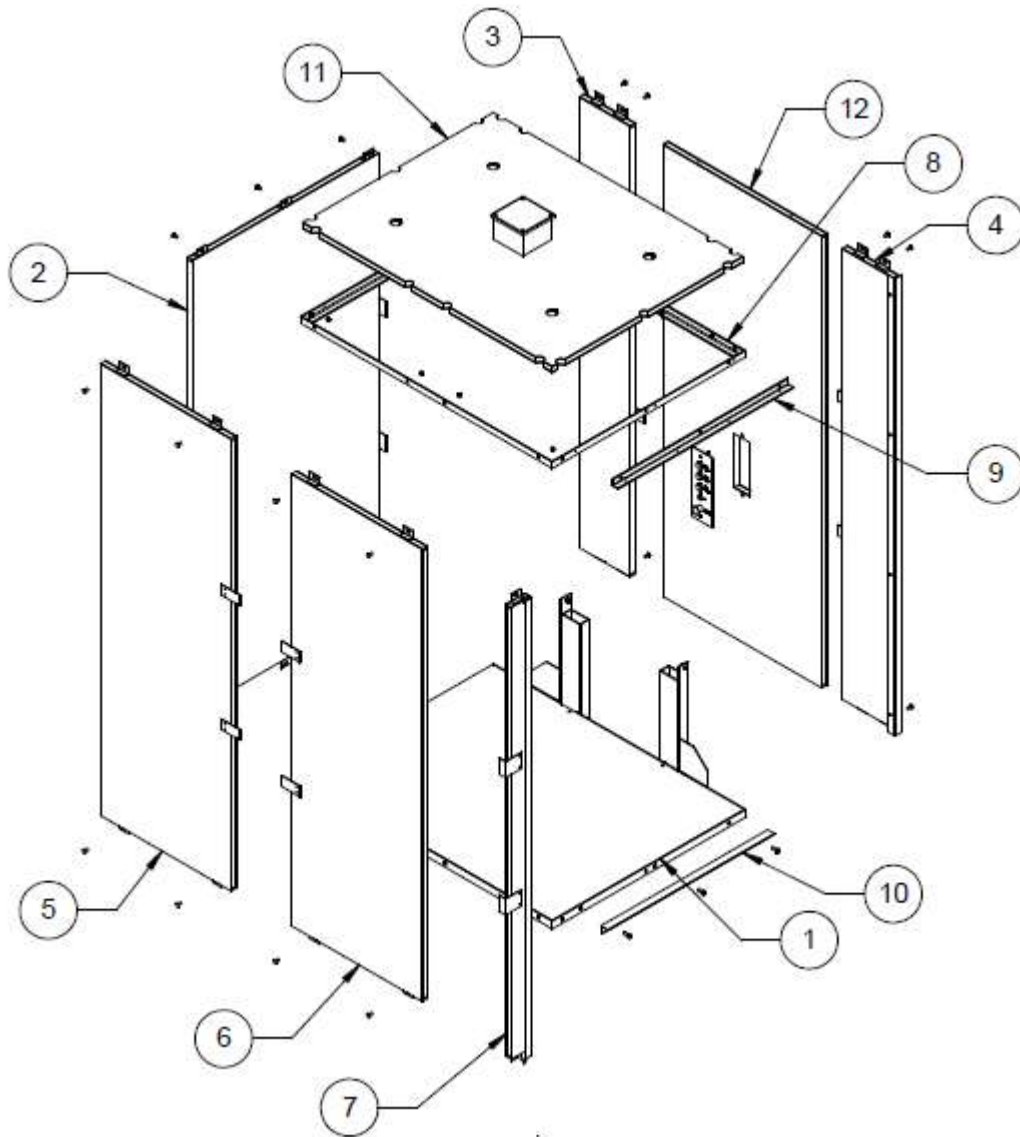


Figure 19-1: Car Structure Detail (In/Out-TR with Light Curtain)

- | | | | |
|---|--------------------|----|--------------|
| 1 | Platform | 7 | Front Wall |
| 2 | End Wall | 8 | Roof Frame |
| 3 | Control Wall Back | 9 | Header Angle |
| 4 | Control Wall Front | 10 | Sill |
| 5 | Side Wall Back | 11 | Roof Panel |
| 6 | Side Wall Front | 12 | Control Wall |

If the car is equipped with car gate instead of light curtain, control wall front is not needed. Assemble all wall panels according to step 1 – step 3 and then install a car gate as described below:

Step 4. Install top track of car gate onto roof frame.

Step 5. Install bottom track onto platform floor. Ensure center of bottom track is line up with center of top track.

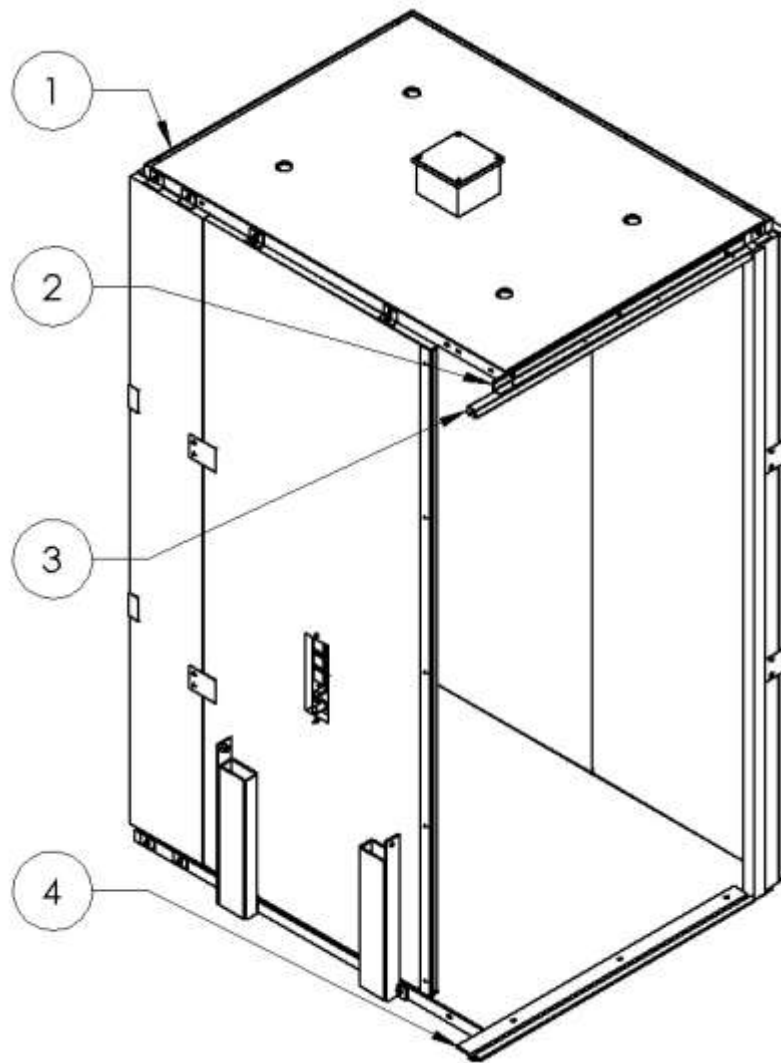


Figure 19-2: Car Gate Installation (Top Track and Bottom Track)

- | | | | |
|---|--------------|---|-----------------------|
| 1 | Roof Frame | 3 | Car Gate Top Track |
| 2 | Header Angle | 4 | Car Gate Bottom Track |

Step 6. Install top pocket bracket and bottom pocket bracket.

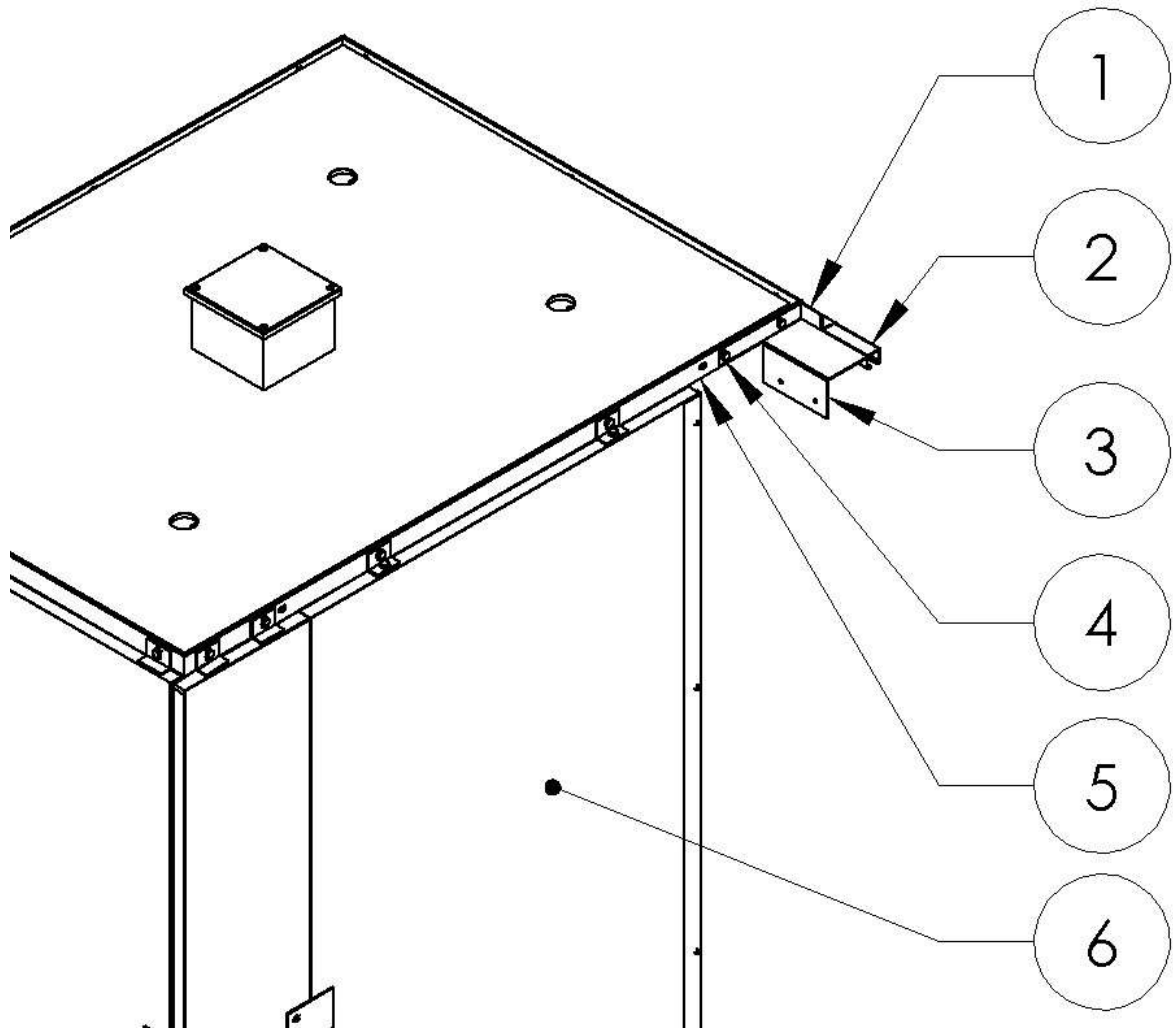


Figure 19-3: Car Gate Installation (Top Bracket)

- | | |
|----------------------|----------------|
| 1 Header Angle | 4 Bolt 5/16" |
| 2 Car Gate Top Track | 5 Roof Frame |
| 3 Top Bracket | 6 Control Wall |

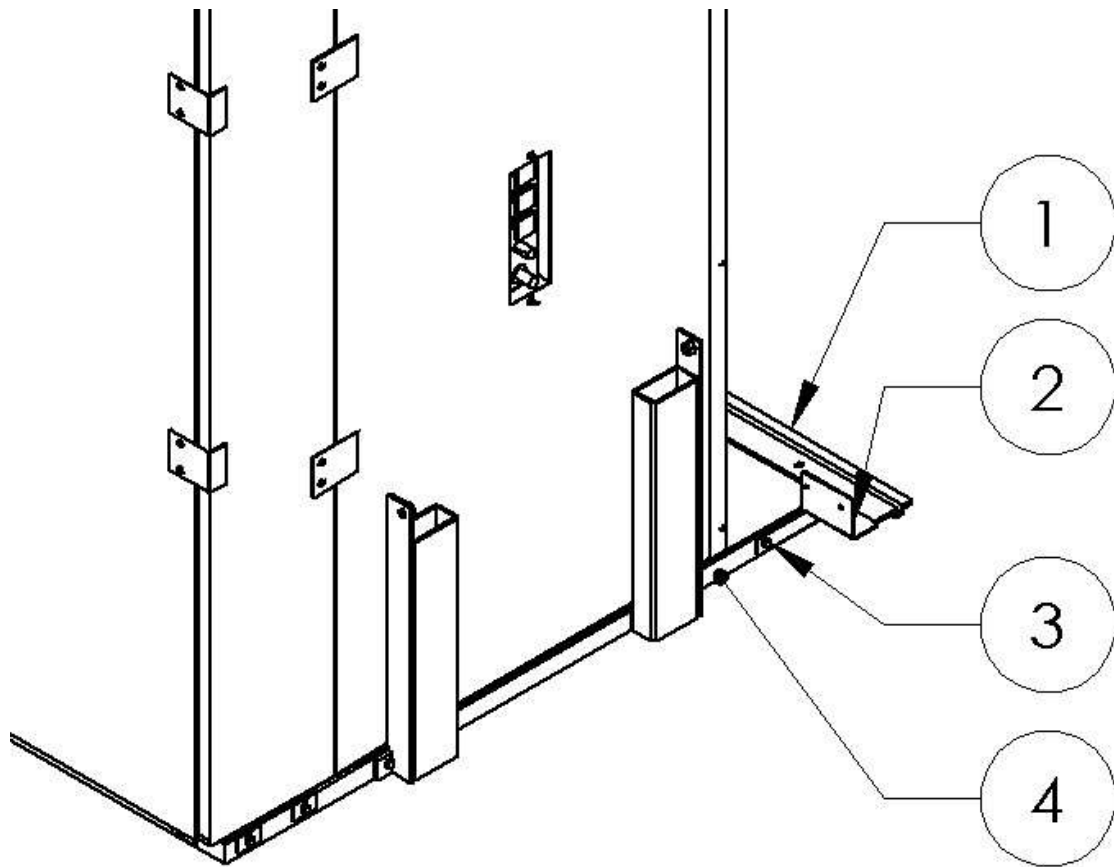


Figure 19-4: Car Gate Installation (Bottom Bracket)

- 1 Car Gate Bottom Track
- 2 Bottom Bracket

- 3 5/16" Bolt and Nut
- 4 Platform

Step 7. Install car gate along with pocket onto brackets and at the same time slide car gate panels to be guided by top track and bottom track.

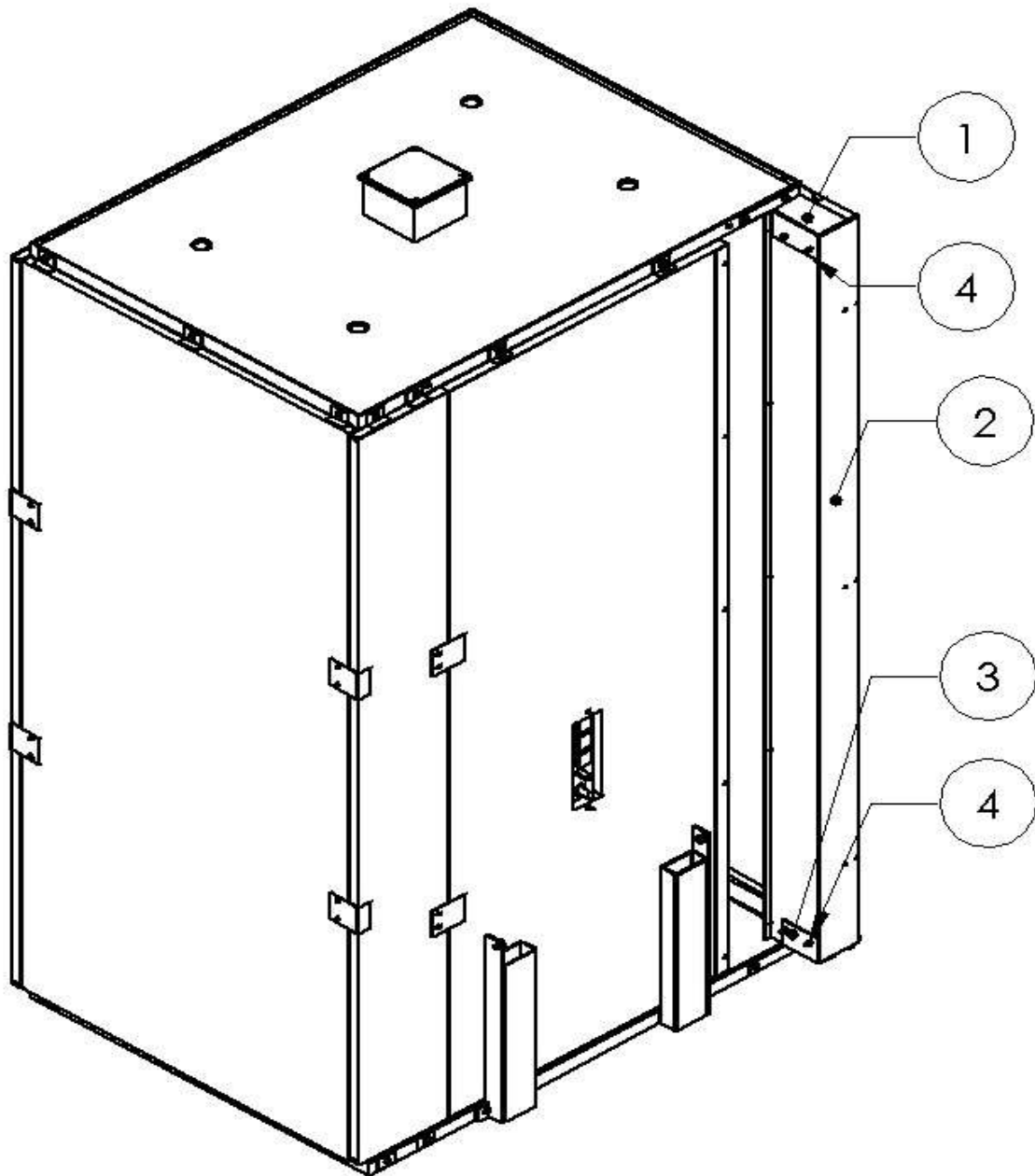


Figure 19-5: Car Gate Installation (Car Gate along with Pocket)

- | | |
|---------------------------------|---------------------|
| 1 Top Bracket | 3 Bottom Bracket |
| 2 Gate Pocket with Gate Mounted | 4 1/4" Bolt and Nut |

Step 8. Install pocket extension and car gate accessories (gate arm, switch, hand knob, etc.).

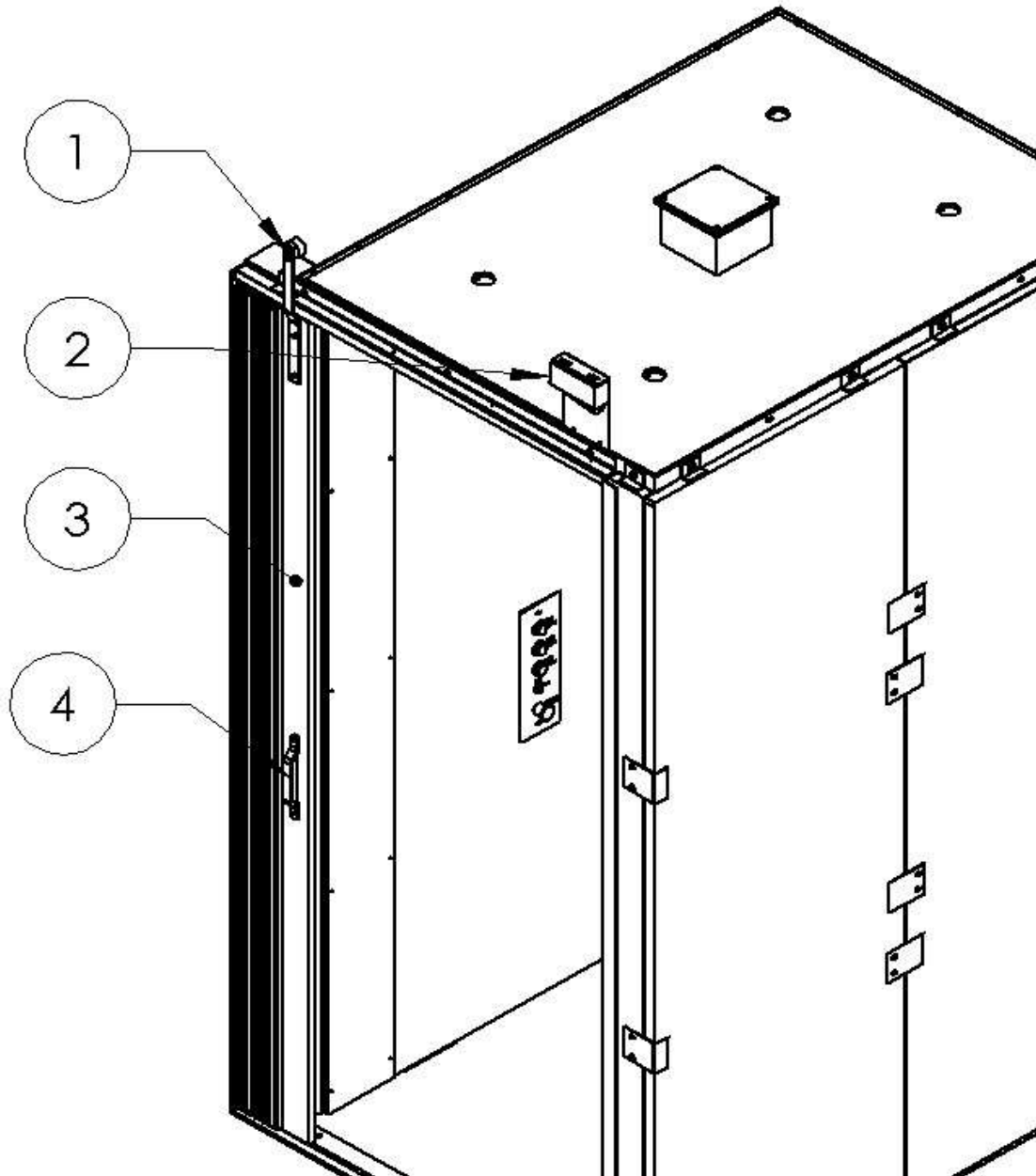


Figure 19-6: Car Gate Installation (Car Gate accessories)

- 1 Gate Arm
- 2 Gate Switch

- 3 Car Gate
- 4 Hand Knob