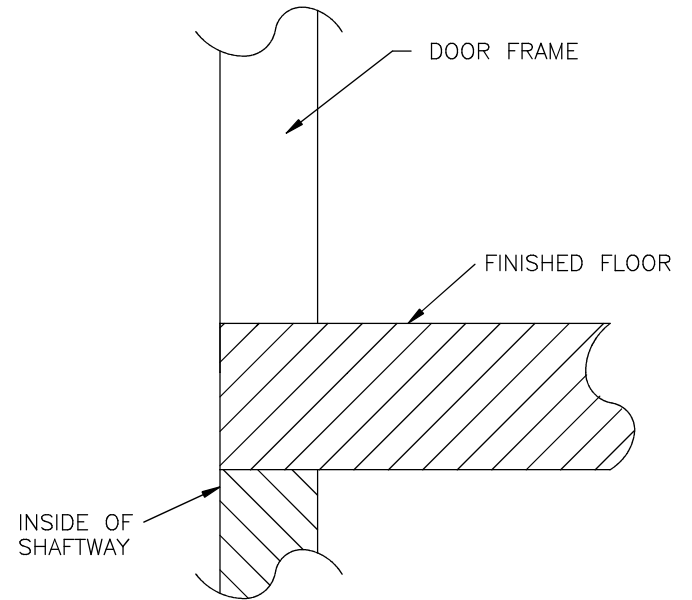


NOTE: PIT IS 12" [305 mm] DEEP

TYPICAL PIT DETAIL



TYPICAL INTERMEDIATE FLOOR DETAIL

JOB No. 004	TOTAL TRAVEL 252 [6401]	INCHES MM	No. OF LANDINGS 3	REV	BY	DATE	DESCRIPTION	
LOCATION SAMPLE LULA Edmonton,AB,CDA				RAM MANUFACTURING LTD.				
ARCHITECT AB,CDA								
GENERAL CONTRACTOR X,X				SCALE: N.T.S.		DATE: 08/01/16	DRAWING No. CRS-G - 004	REV 5/7 A