

IF THE CONDUIT HAS TO CROSS THE SHAFT IT MUST DO SO AT THE TOP. RUN CONDUIT TIGHT TO THE TOP CORNER OF THE SHAFT OR AT LEAST 10 FT ABOVE THE FINISHED FLOOR

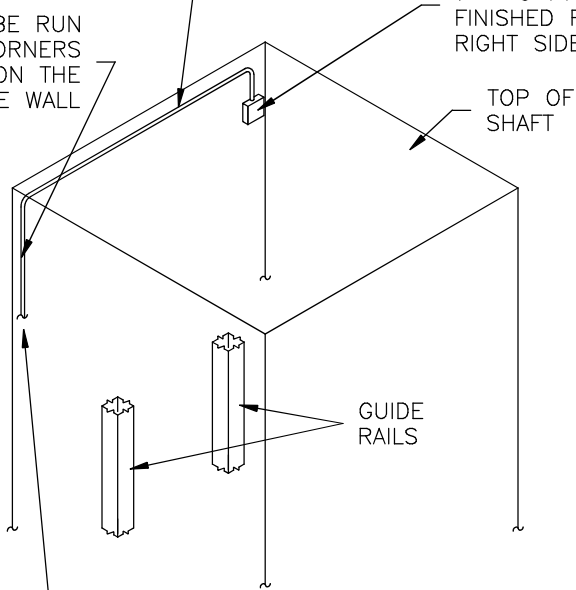
CONDUIT MUST BE RUN TIGHT INTO THE CORNERS OF THE SHAFT ON THE GUIDE RAIL SIDE WALL

LOCATE JUNCTION BOX 7 - 9 FT ABOVE FINISHED FLOOR ON RIGHT SIDE OF GUIDE RAILS

TOP OF SHAFT

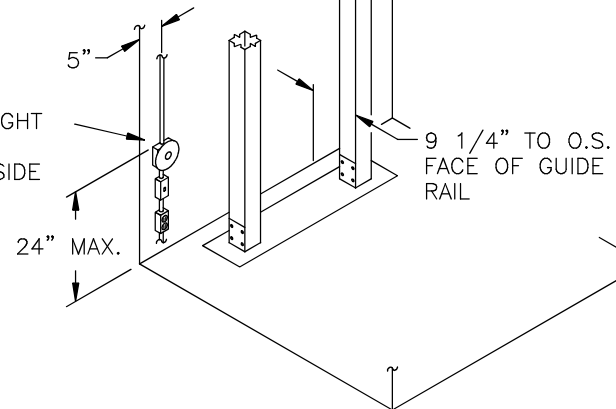
GUIDE RAILS

CONDUIT RUN TO 220V/110V DISCONNECTS INCLUDE TELEPHONE (IF REQUIRED)



LIGHT & GFI RECEPTACLE LOCATED ON SHAFT CEILING. NOTE: CEILING AND PIT LIGHT TO BE SWITCHED AT BOTH LOCATIONS.


LOW PROFILE PIT LIGHT & GFI RECEPTACLE LOCATED ON LEFT SIDE OF GUIDE RAIL.



CONDUIT RUN FROM DISCONNECT TO TOP OF SHAFT

LIGHT LOCATION AND GUIDE RAIL PLACEMENT

| | | | |
|--|----------------------------|--------------|----------------------|
| JOB No. 004 | TOTAL TRAVEL 252 [6401] | INCHES MM | No. OF LANDINGS 3 |
| LOCATION SAMPLE LULA Edmonton,AB,CDA | | | |
| ARCHITECT AB,CDA | | | |
| GENERAL CONTRACTOR X,X | | | |

| REV | BY | DATE | DESCRIPTION |
|---|-------------------|--|-------------|
|  RAM MANUFACTURING LTD. | | | |
| DWN. BY: Pam Bennett | | RAM UNI-VERS CRYSTAL INSTALLATION DETAILS - MISCELLANIOUS | |
| CHECKED BY: | | | |
| SCALE: N.T.S. | DATE: 08/01/16 | DRAWING No. CRS-H-004 6/7 | REV A |